

4" KEL2020 SYSTEM-AMAZON KIT
 CONTROL BOX POWER SUPPLY

KELLY systems
 INCORPORATED
 422 N. WESTERN
 CHICAGO, IL. 60612
 312/733-3224 FAX 312/733-6971

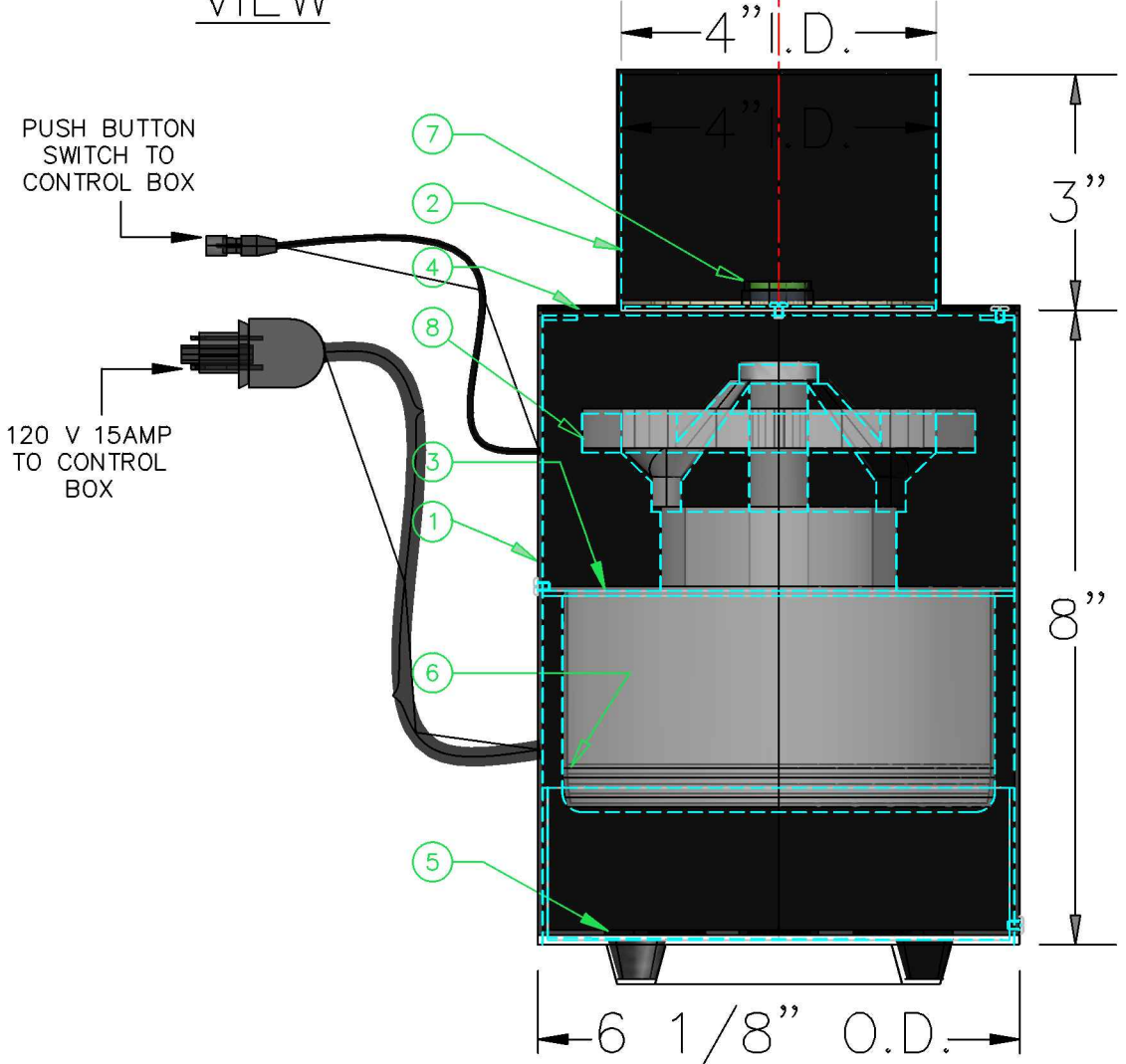
Drwn	08/06/24 MTA
Rev.	AEA751032
No. APS558404-3	

FRONT VIEW

NO.	PART NO.	RQ	DESCRIPTION
1	K2020-ALP64624	1	SLEEVE 6 1/8" O.D. X 7 15/16"
2	K2020-ATP64428	1	SLEEVE 4" I.D. X 3"
3	K2020-ATP01457	1	MOTOR PLATE
4	K2020-ATP01458	1	TOP PLATE
5	K2020-ATP01459	1	BOTTOM PLATE
6	K2020-ALP57405	1	NIPPLE 6" O.D. X 2"
7	K2020-AE605622	1	GREEN PUSHBUTTON
8	K2020-AE484022	1	MOTOR

PUSH BUTTON
SWITCH TO
CONTROL BOX

120 V 15AMP
TO CONTROL
BOX

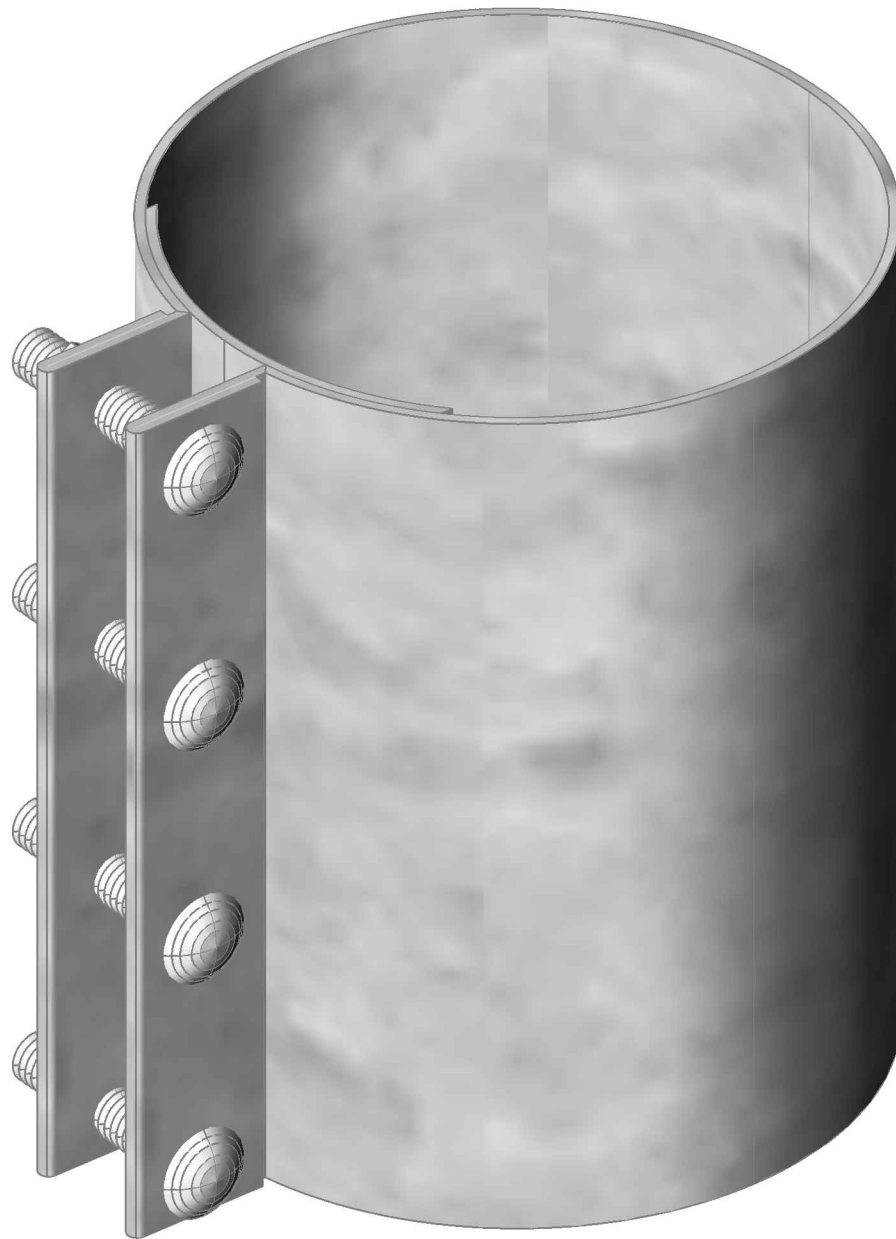


BLOWER BASE
A444200

4" KEL2020 SYSTEM-AMAZON KIT
BLOWER BASE

KELLY systems
INCORPORATED
422 N. WESTERN
CHICAGO, IL. 60612
312/733-3224 FAX 312/733-6971

Drwn	08/06/24 MTA
Rev.	A444200
No. APS558404-4	

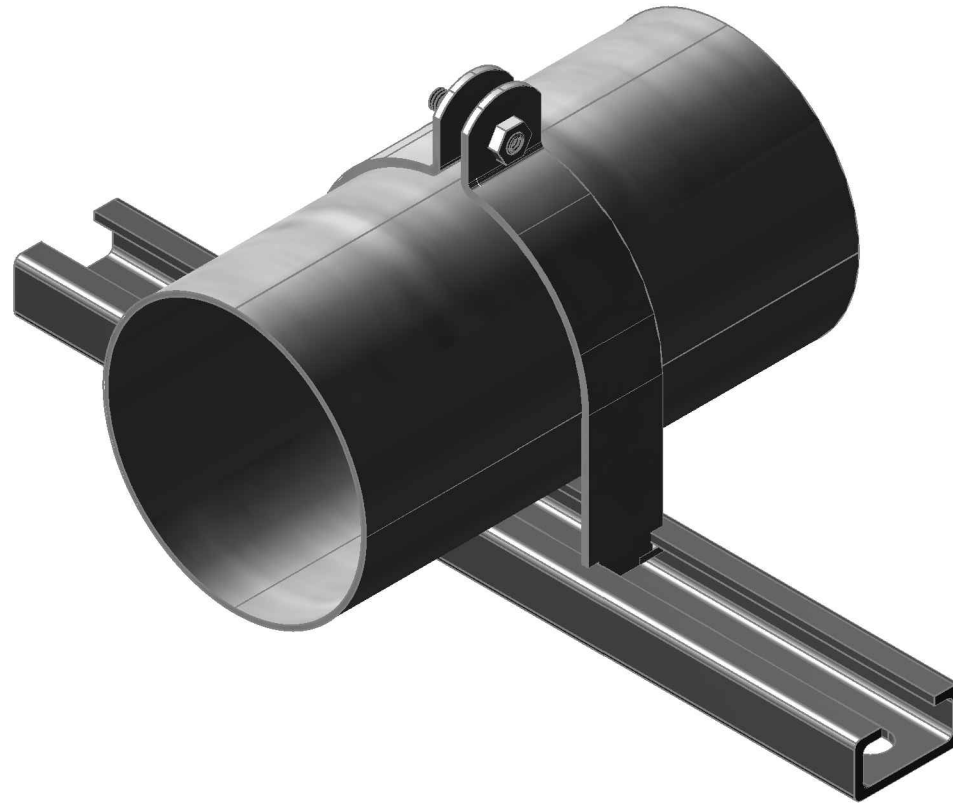


4" O.D.
SPLIT
SLEEVE
ALP64401

4" KEL2020 SYSTEM-AMAZON KIT
SPLIT SLEEVE

KELLY systems
INCORPORATED
422 N. WESTERN
CHICAGO, IL. 60612
312/733-3224 FAX 312/733-6971
SINCE 1904

Drwn	08/06/24 MTA
Rev.	ALP64401
No.	APS558404-5

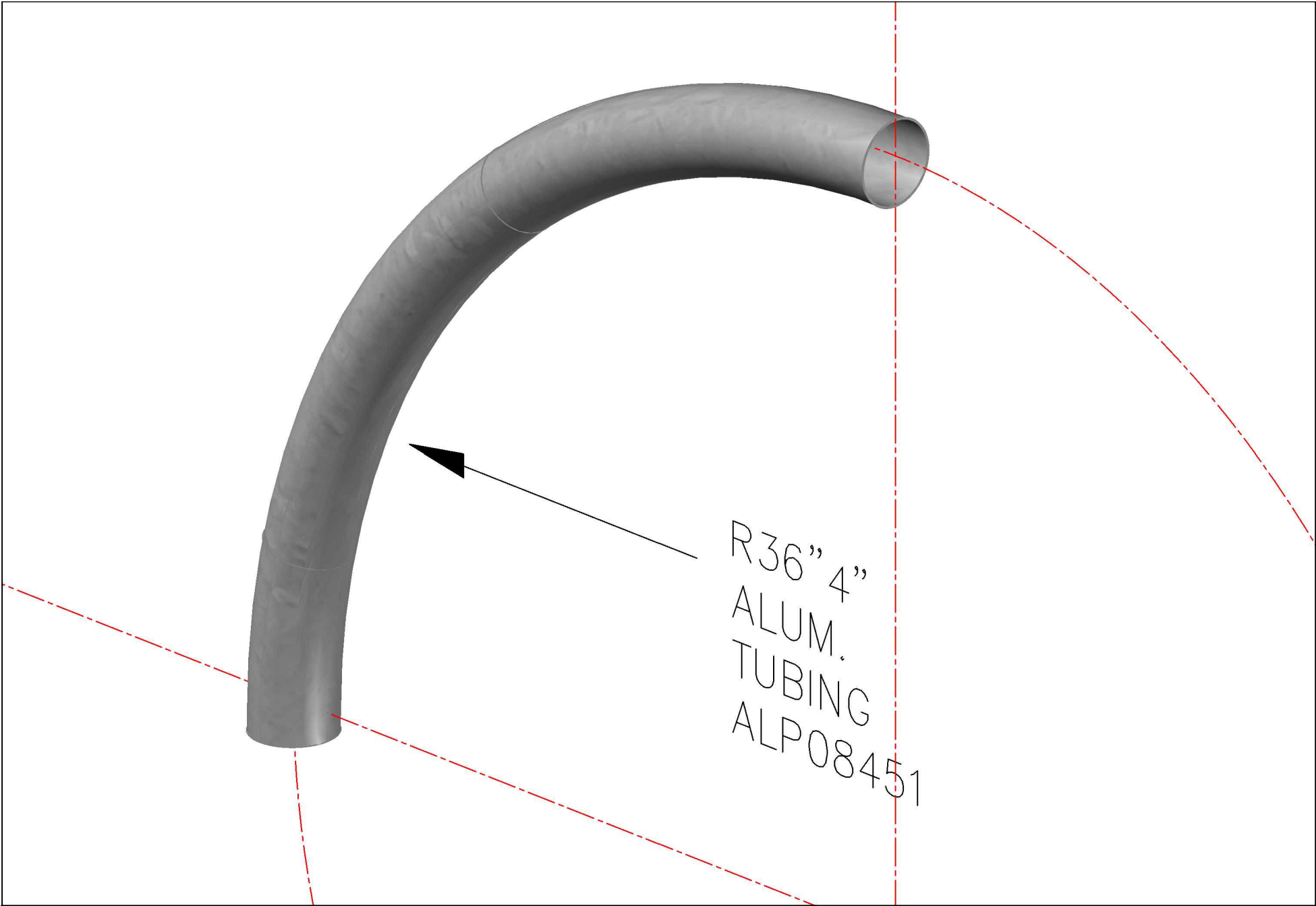


← (5) 4"
UNI-STRUT
HANGER
ALP12803

4" KEL2020 SYSTEM-AMAZON KIT
UNI-STRUT

KELLY systems
INCORPORATED
422 N. WESTERN
CHICAGO, IL. 60612
312/733-3224 FAX 312/733-6971
SINCE 1904

Drwn	08/06/24 MTA
Rev.	ALP12803
No.	APS558404-6

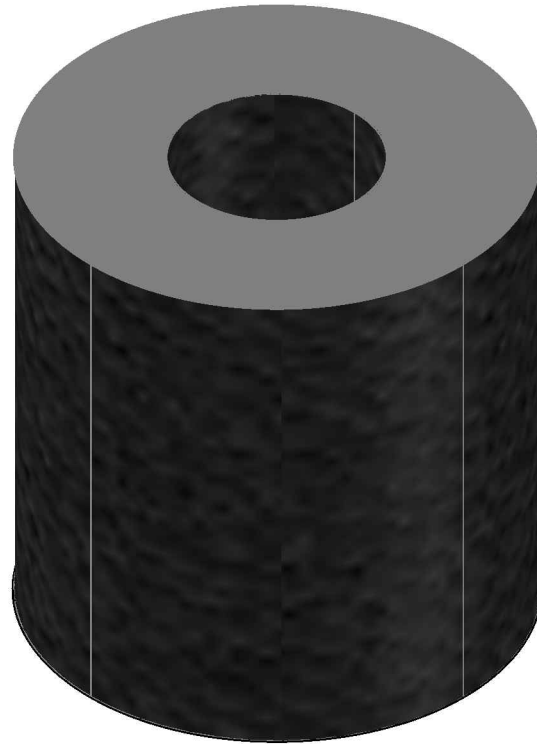


R36" 4"
ALUM.
TUBING
ALP08451

4" KEL2020 SYSTEM-AMAZON KIT

KELLY systems
INCORPORATED
422 N. WESTERN CHICAGO, IL. 60612 SINCE 1904
312/733-3224 FAX 312/733-6971

Drwn	08/06/24 MTA
Rev.	?
No.	APS558404-7



(2)
AIR 4"
TAP E SEAL

4" KEL2020 SYSTEM-AMAZON KIT

KELLY systems
INCORPORATED
422 N. WESTERN
CHICAGO, IL. 60612
312/733-3224 FAX 312/733-6971

Drwn	08/06/24 MTA
Rev.	?
No.	APS558404-8



← A7404 4"
TELESCOPING
CARRIER

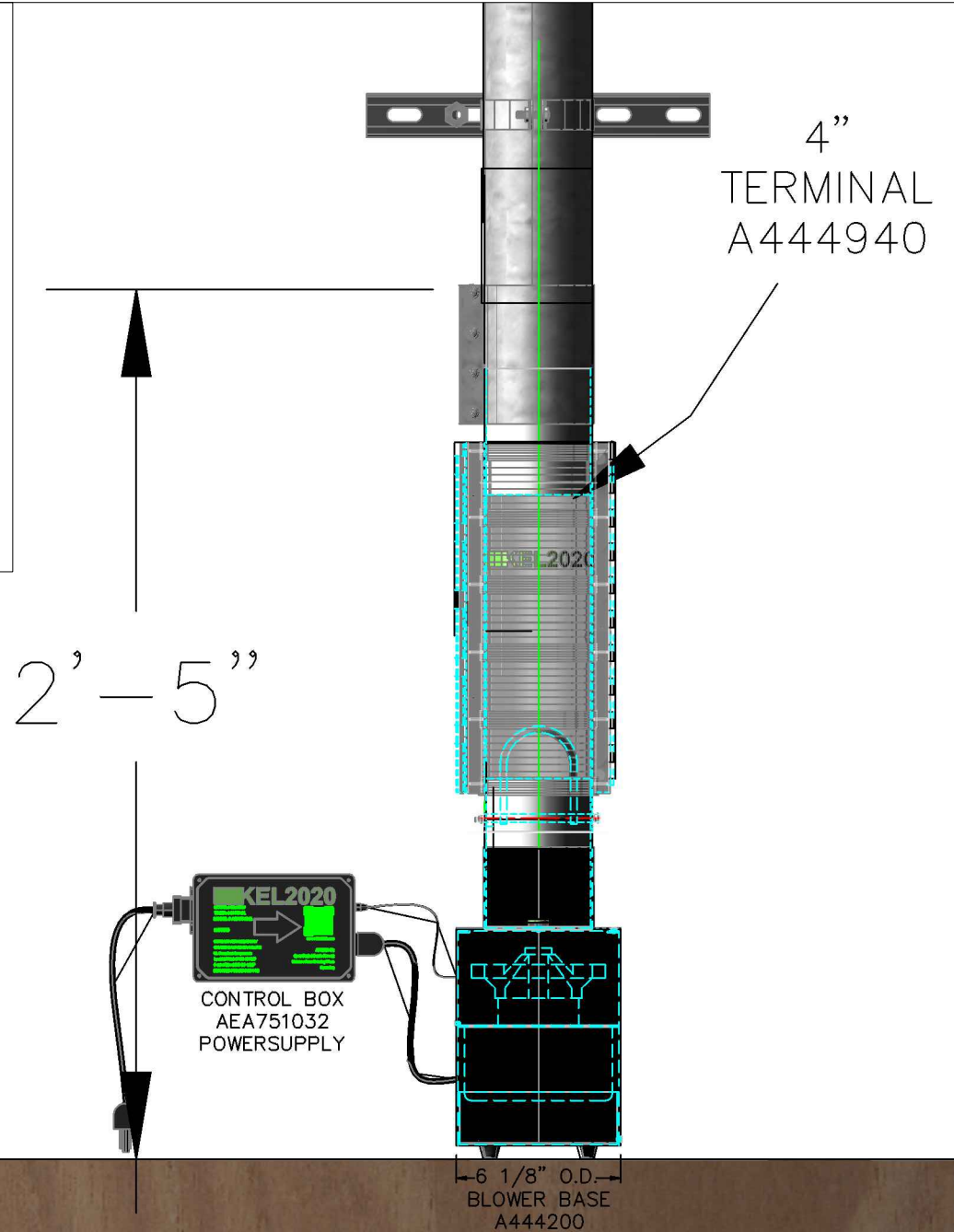


4" KEL2020 SYSTEM-AMAZON KIT

KELLY systems
INCORPORATED
422 N. WESTERN CHICAGO, IL. 60612 SINCE 1904
312/733-3224 FAX 312/733-6971

Drwn	08/06/24 MTA
Rev.	?
No.	APS558404-9

NO.	PART NO.	RQ	DESCRIPTION
1	A444940	1	4" TERMINAL
2	A444200	1	BLOWER
3	AEA751032	1	CONTROL BOX

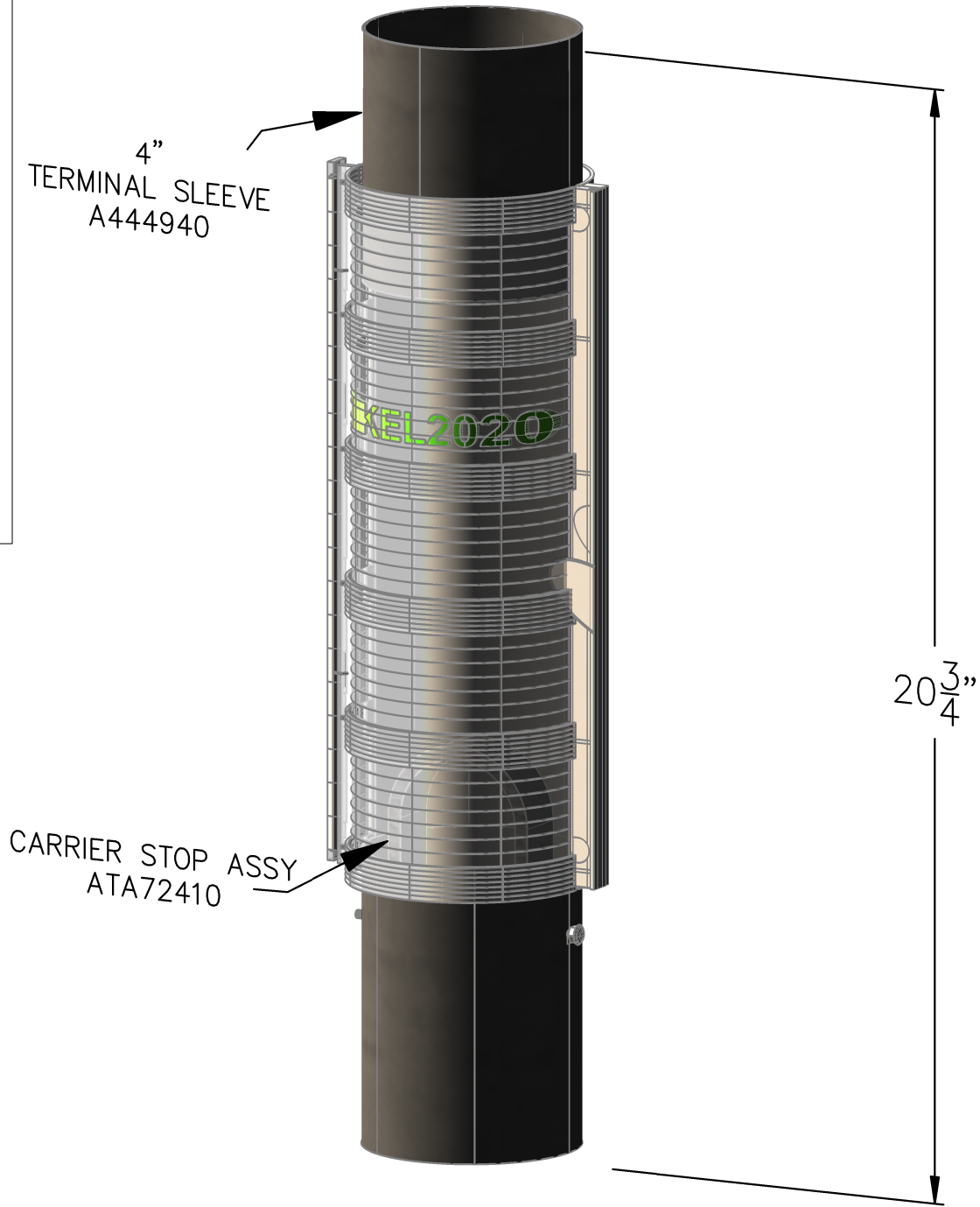


4" KEL2020 SYSTEM-AMAZON KIT

KELLY systems
INCORPORATED
 422 N. WESTERN
 CHICAGO, IL. 60612 SINCE 1904
 312/733-3224 FAX 312/733-6971

Drwn	08/06/24 MTA
Rev.	?
No. APS558404-10	

NO.	PART NO.	RQ	DESCRIPTION
1	ATA01445	1	K TERMINAL SLEEVE
2	AS010401	1	HINGE PIN TERMINAL
3	ATP01462	1	K TERMINAL CLEAR POLY FRONT
4	ATP01461	1	K TERMINAL GRAY POLY BACK
5	ATP01463	1	GRAY SLIDER LOCK
6	AS001243S94	1	HEX HEAD BOLT 5/16" X 4 1/2"
7	AS002008S	1	HEX NUT 5/16"
8	ALP28902	1	LANDING BAR RUBBER STRIP
9	AS281001	2	GROMMET 5/16"
10	K2020-ATA04402	2	K TERMINAL DOOR STEAL 12 3/4"
11	ATP04403	2	K TERMINAL DOOR STEAL 6 3/4"
12	ALP78302	1	3" ALUMINUM TUBE INSERT 0.065
13	ALA71401	1	4" TO 3" REDUCER



4" KEL2020 SYSTEM-AMAZON KIT

KELLY systems
INCORPORATED
 422 N. WESTERN
 CHICAGO, IL. 60612
 312/733-3224 FAX 312/733-6971

Drwn	08/06/24 MTA
Rev.	?
No. APS558404-11	