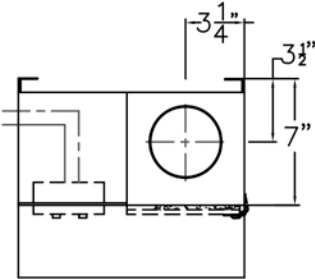
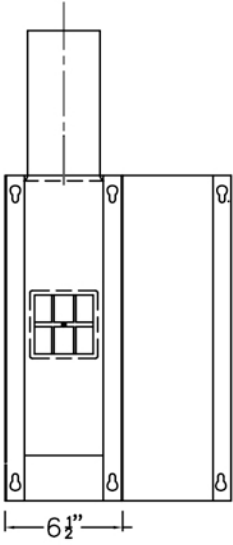


SUB TERMINAL
ATA02468
 DRIVE THRU "619"
 SCALLOPED TOP

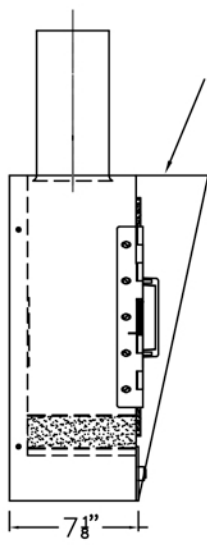
NO.	PART NO.	RQ	DESCRIPTION
1	ATP07001	1	PULL HANDLE
2	ATP04201	1	DOOR GASKET
3	ATP02035	1	PLEX DOOR W/HOLES
4	AS010130	2	SPRING KEL2020
5	ATP70002	1	PAD 1 3/4" x 6" x 6"
6	AOP338001	1	HINGE ASSY
7	AE605129	1	PUSHBUTTON ASSY
8	AS010130	2	SPRING
9	ATA02468	1	SCALLOPED TREM TOP



TOP VIEW

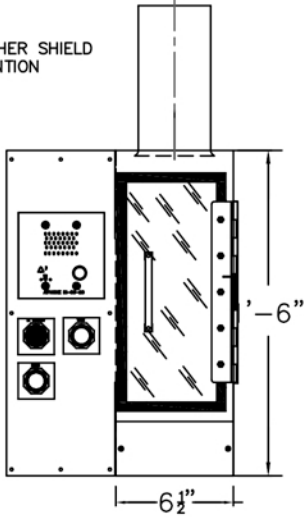


BACK VIEW

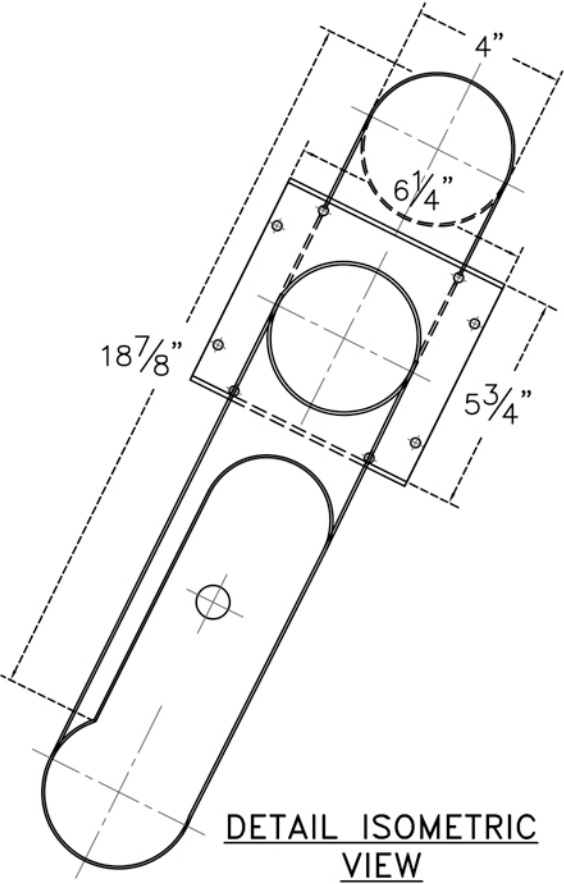


SIDE VIEW

WEATHER SHIELD
EXTENTION



FRONT VIEW



DETAIL ISOMETRIC
VIEW

A444207 SUB STATION TERMINAL