

TRUCK GUARD HOUSE DRIVE THRU SPEC.

DRIVE THRU TRUCK LANES PNEUMATIC TUBE SYSTEM SPEC. w/ AUDIO INTEGRATION

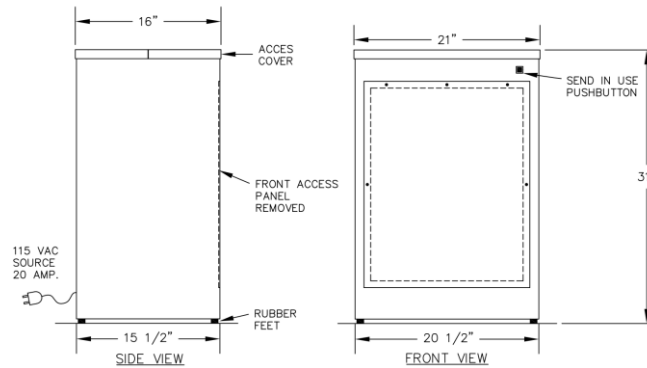
System Requires

1. 4" OD TUBE SYSTEM
2. Manufacturer's Parts List Identified with the make, model and serial number of the equipment
3. Control and Wiring Diagram
4. Installation, operation, and maintenance instructions
5. Manufacturer's recommended SPARE PARTS list.

BLOWER SPEC:

To be a Powder Coated/Steel Self Contained Blower Unit Designed in Cabinet

Dimensions 31" Tall 21" Wide 16" Deep



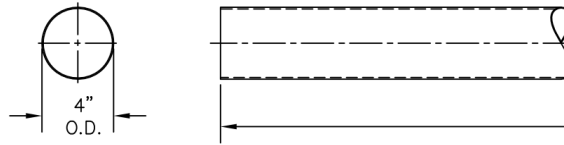
These Dimensions Allow Blower Unit to fit under Cabinets.

The Blower Must Run "Outside Air" to equalize air temperature from outdoor environment to minimize Moisture inside Guard House.

20 AMP 120 V AC Circuit Required for Blower.

TUBING SPEC:

0.073 ALUM 4" OD

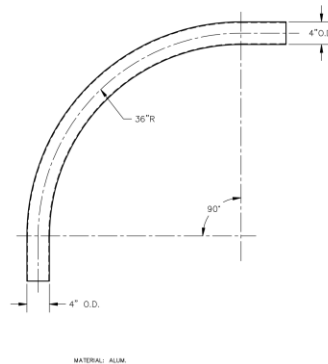


Aluminum will age very well for indoor outdoor use where subject to Climate Changes. Joints should be made with a Flange Joint with Rubber seals to keep moisture out of system and allow for Deflection of the Tube in high winds environment.

BEND SPEC:

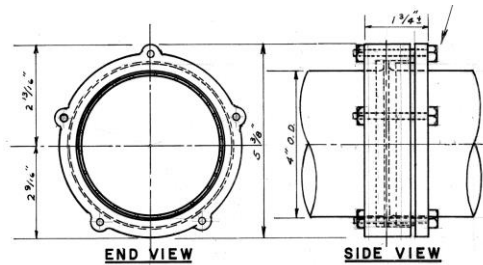
4" OD 36" Rad 90 Deg Alum –

Alum Must be used to match Tubing Wall Thickness and Soft Enough to use Flanging for Joints. Alum for Indoor Outdoor usage with minimal corrosion over time.



COUPLING SPEC:

Couplings should be Alum Base for outdoor use. Flanged Joints to allow for Deflection with Building.

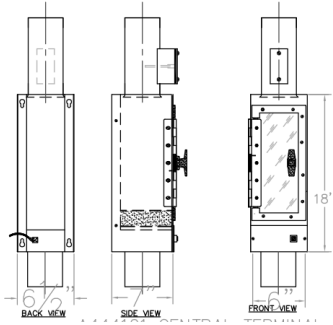




TERMINAL CENTRAL:

Central Terminal should be Powder coated/Steel 11-14 GA with Weather Proofing Coating and Air Through Bottom. Door Should be ¼" Clear Plastic Door with Pull Tight Handle.

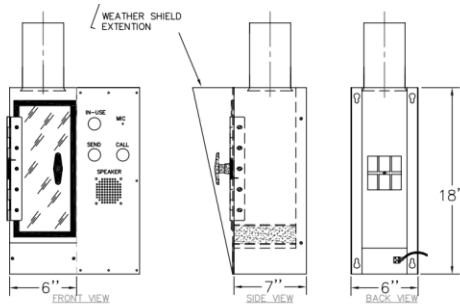
Dimensions of unit should be 6" Wide 18" Tall 7" Deep



TERMINAL SUB:

Sub Terminal should be Power Coated/Steel 11-14 GA with Weather Proofing Coating and rain Shielding Design. Audio Must Integrate in Terminal to create single fixable unit.

Dimensions of unit should be 12" Wide 18" Tall 7" Deep Including Audio and Sending Controls.



AUDIO SPEC:

Two Way Audio interface activated by button from either side. Weather Resistant durable for outdoor use on the Sub. 24V Low Voltage Cable to Run Sub Station of Audio.

SUB STATION PRESSURE RELIEFE VALVE:

Pressure relief valve must be present above substation to slow incoming carriers from arriving too fast.

BASE SYSTEM LAYOUT:

