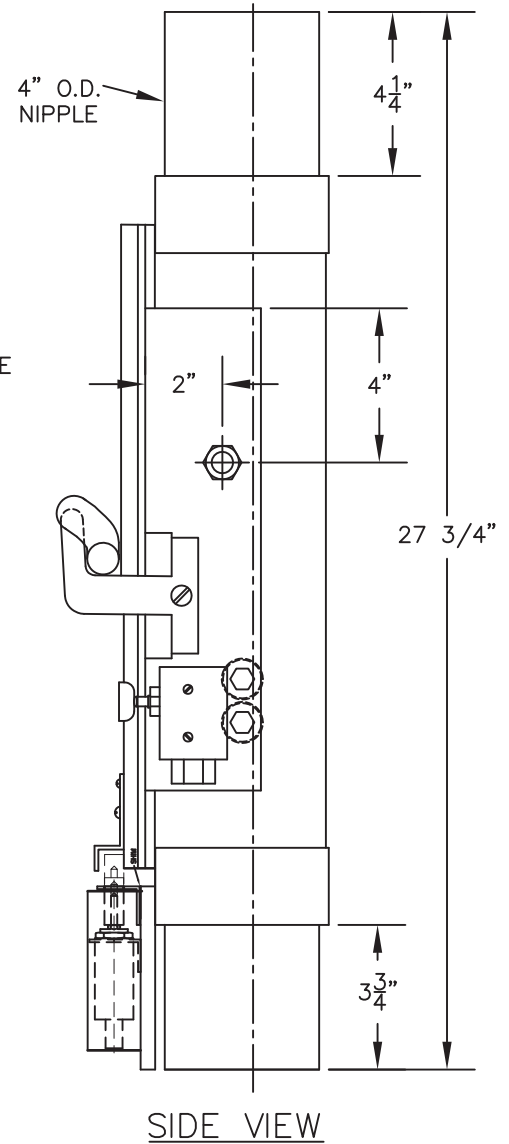
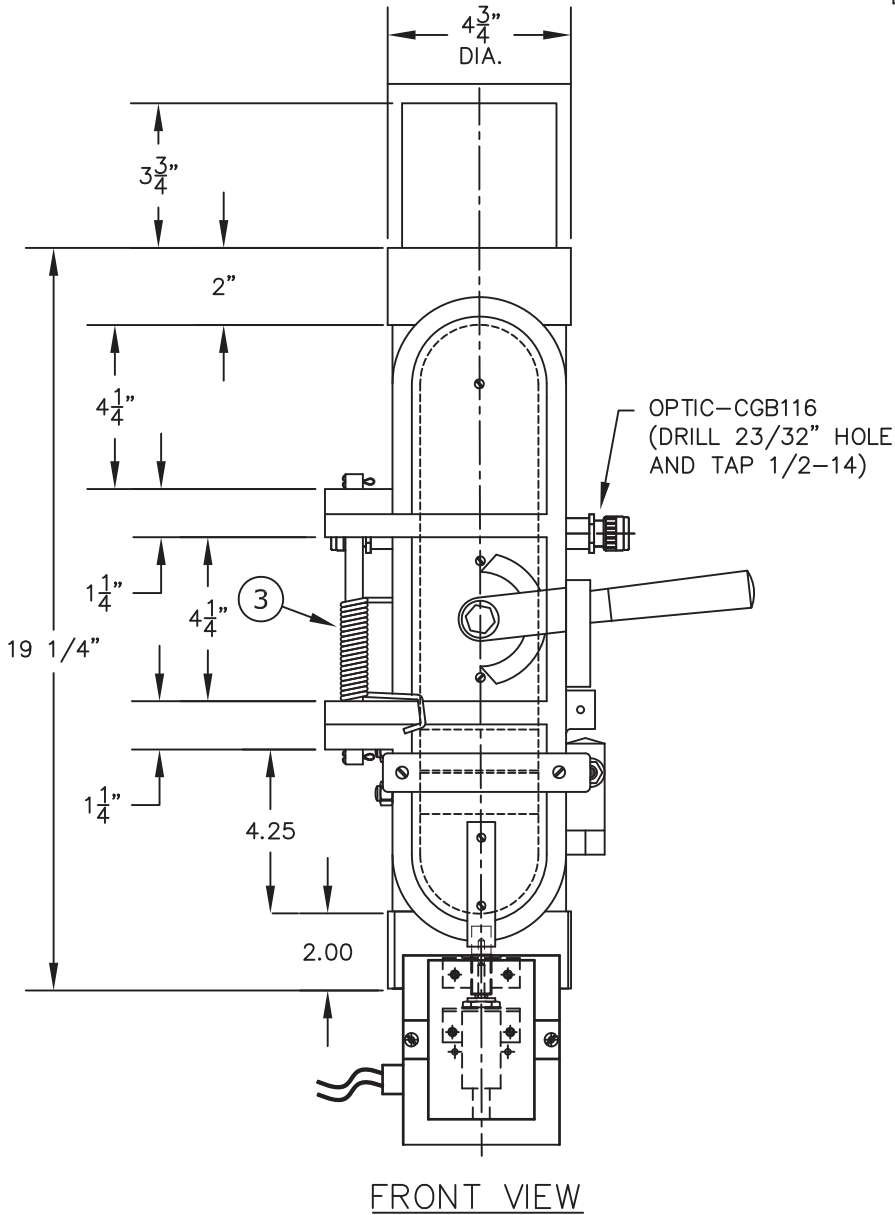


| NO. | PART NO. | RQ | DESCRIPTION |
|-----|-----------|----|---|
| 1 | ATA02404 | 1 | DOOR ASSY (DOOR, GASKET, GUIDE & SCREWS) |
| 2 | ATA81410 | 2 | CARRIER STOP ASSY (HOLLOWROD NYLON SLEEVE, BOLT & LOCK NUT) |
| 3 | AS010021 | 1 | TORSION SPRING |
| 4 | A711005 | 1 | INTERLOCK MICROSWITCH |
| 5 | AEA716016 | 1 | SOLENOID DOOR LOCK $\triangle 1$ |
| 6 | AE566003 | 1 | OPTIC DETECTOR |
| 7 | A566002 | 1 | OPTIC SENDER |
| 8 | AE51404 | 1 | AXLE |



4" O.D. VERTICAL DOOR W/SOLENOID, MICRO SWITCH & OPCON DETECTORS