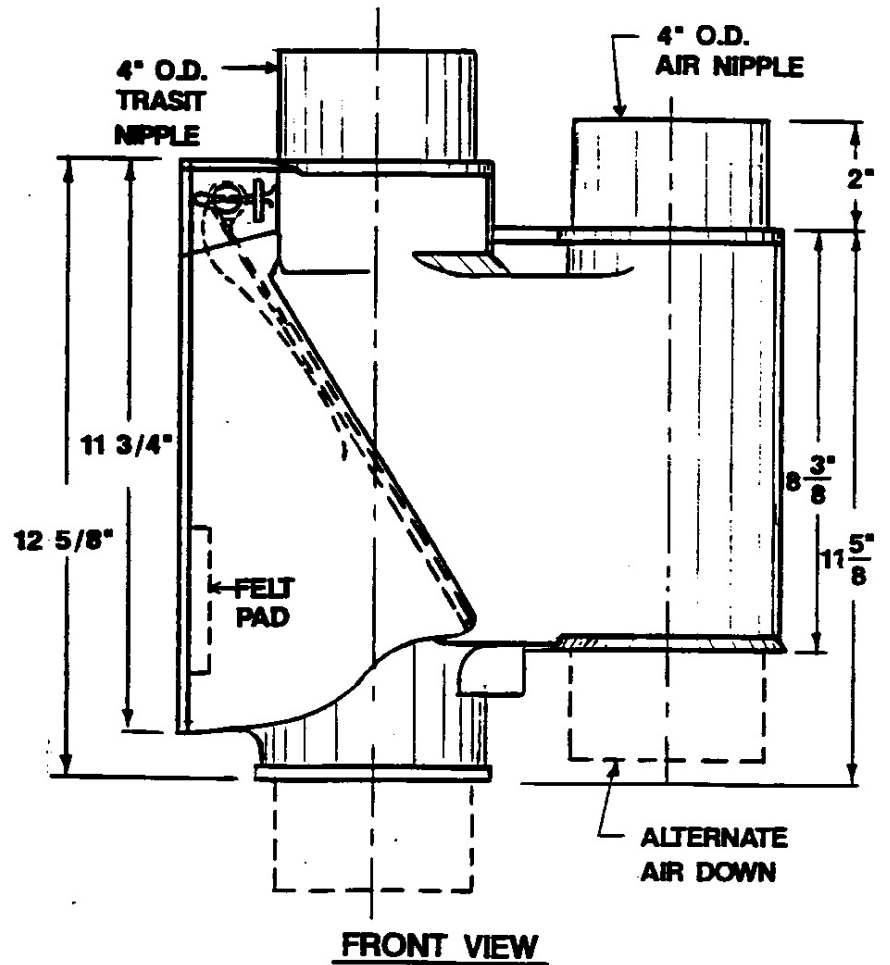
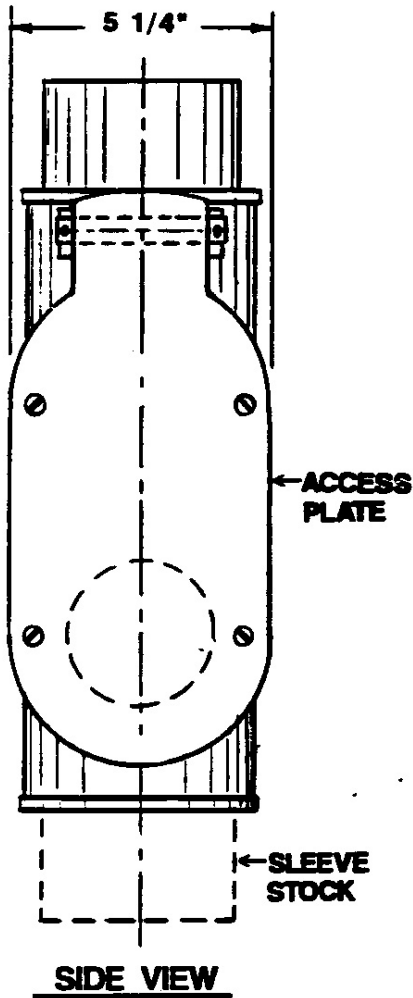
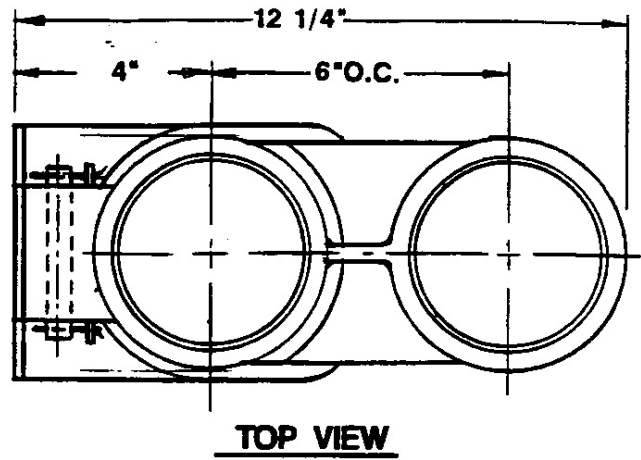


NO.	PART NO.	RQ	DESCRIPTION
1	ATP01081	1	UPPER DOOR
2	ATP02303	1	LEATHER DOOR
3	AS010018	1	SPRING
4	ATP05301	1	HINGE



4" O.D. UPPER DOOR TERMINAL