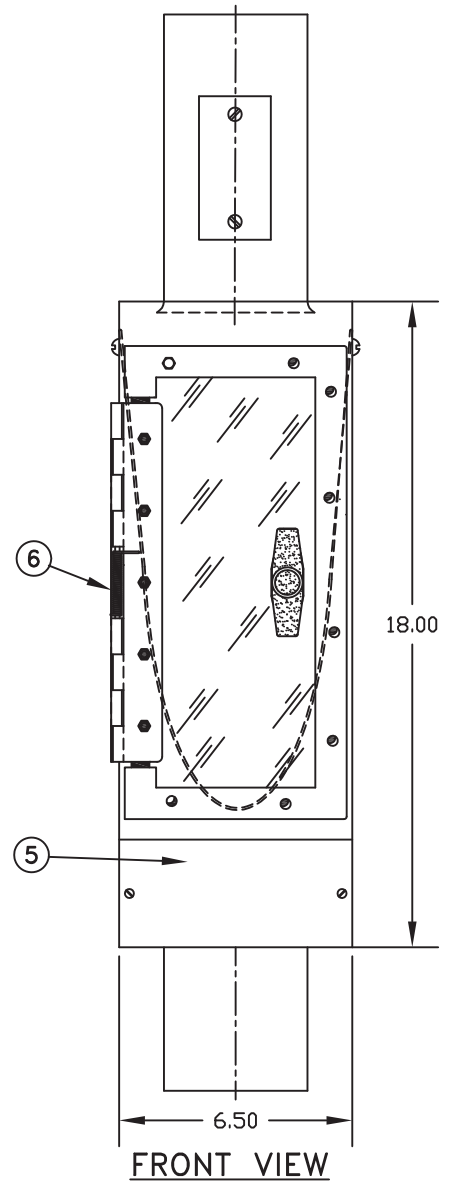
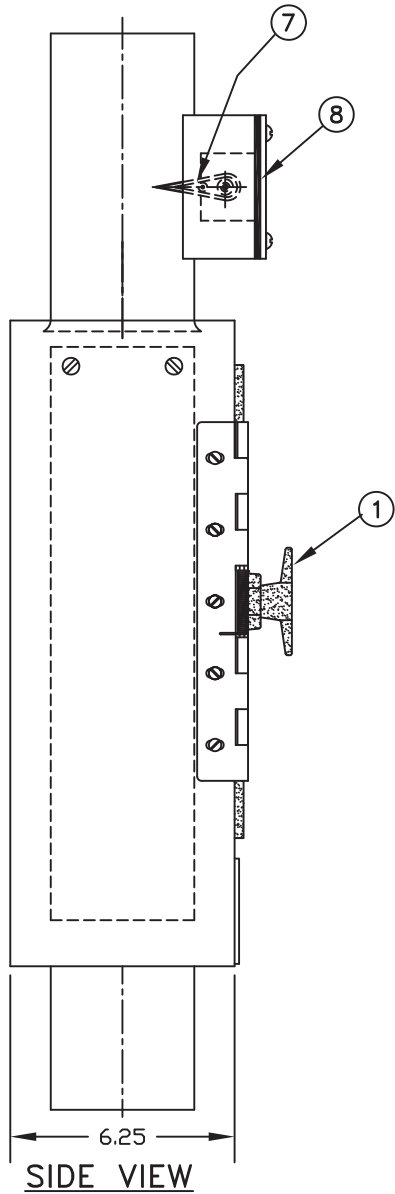
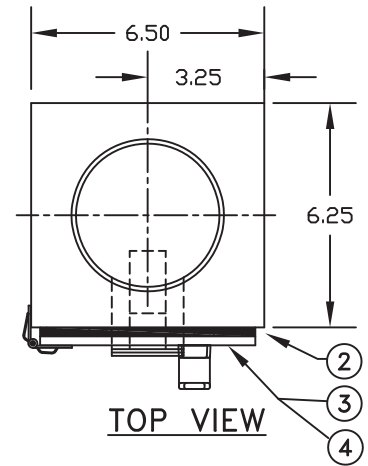


NO.	PART NO.	RQ	DESCRIPTION
1	AS481001	1	CAM LATCH
2	ATP04301	1	DOOR GASKET
3	ATP02035	1	PLEX DOOR W/HOLES (1/4 x 6 x 13)
4	AKA23041	1	DOOR, HINGE, FRAME, LOCK ASSY
5	ATP09045	1	SLING 4" x 41S"
6	ATP50002	1	SPRING/HINGE ASSY
7	ATP21402	1	BLACK DELRIN TRIGGER FINGER
8	ATA13601	1	SPRING LOADED CARRIER HOLDER ASSY

▲
▲



4" O.D. "619" TERMINAL CENTRAL